

VICTRONIX	Add:	Room1405A, Building 1B, Hua qiang Idea Park, GuangMing District,Shenzhen,China	
	Tel:	+86-755-33265935	Fax: +86-755-33265935

SPECIFICATION

VXT350FPQI-01 ■

Preliminary Specification

Final Specification



CUSTOMER:

Made By: Du xiaogang
Checked By:
Approved By:
Quality:
Date:
Note:

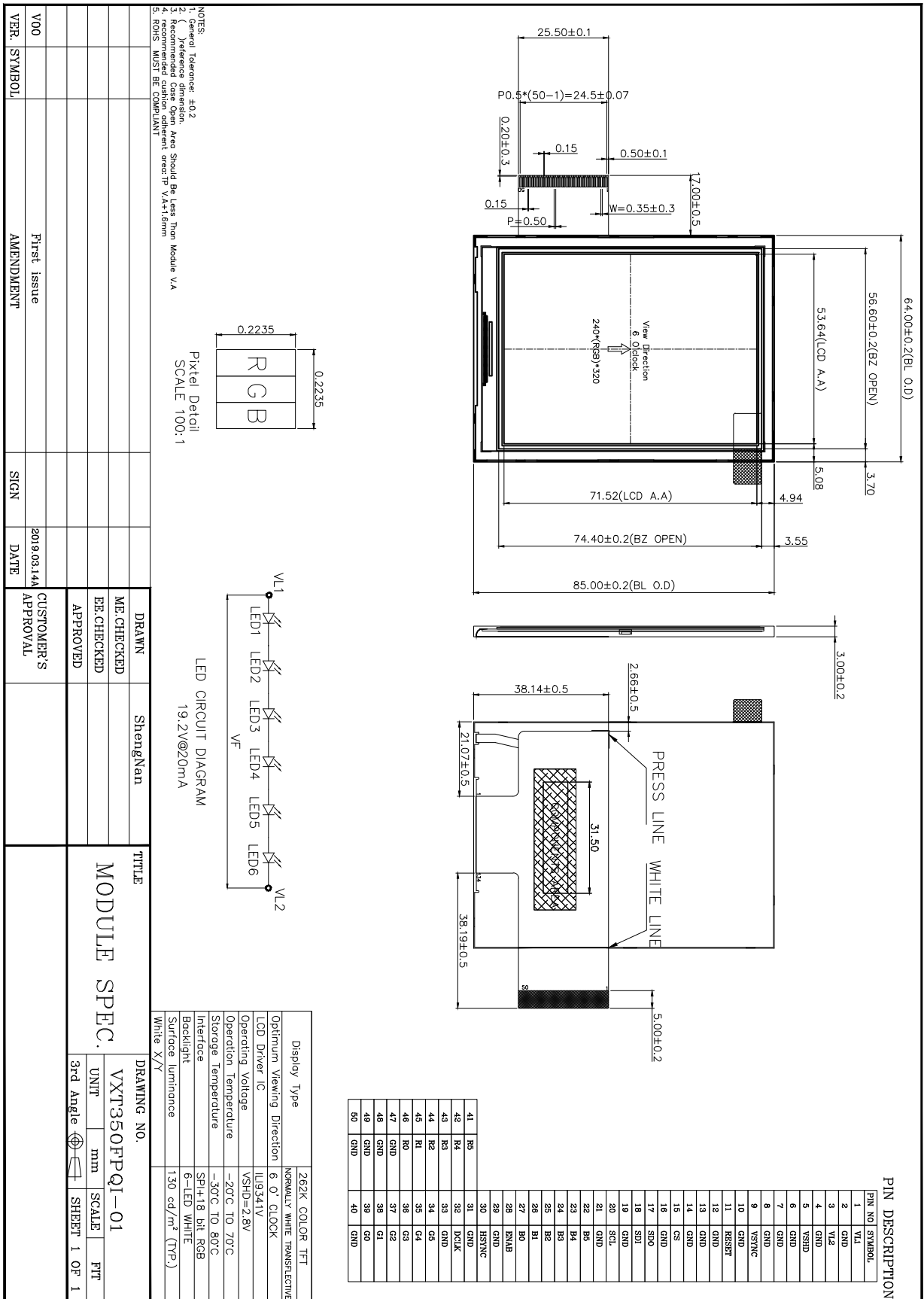
Approved By:
Date:
Note:

Contents

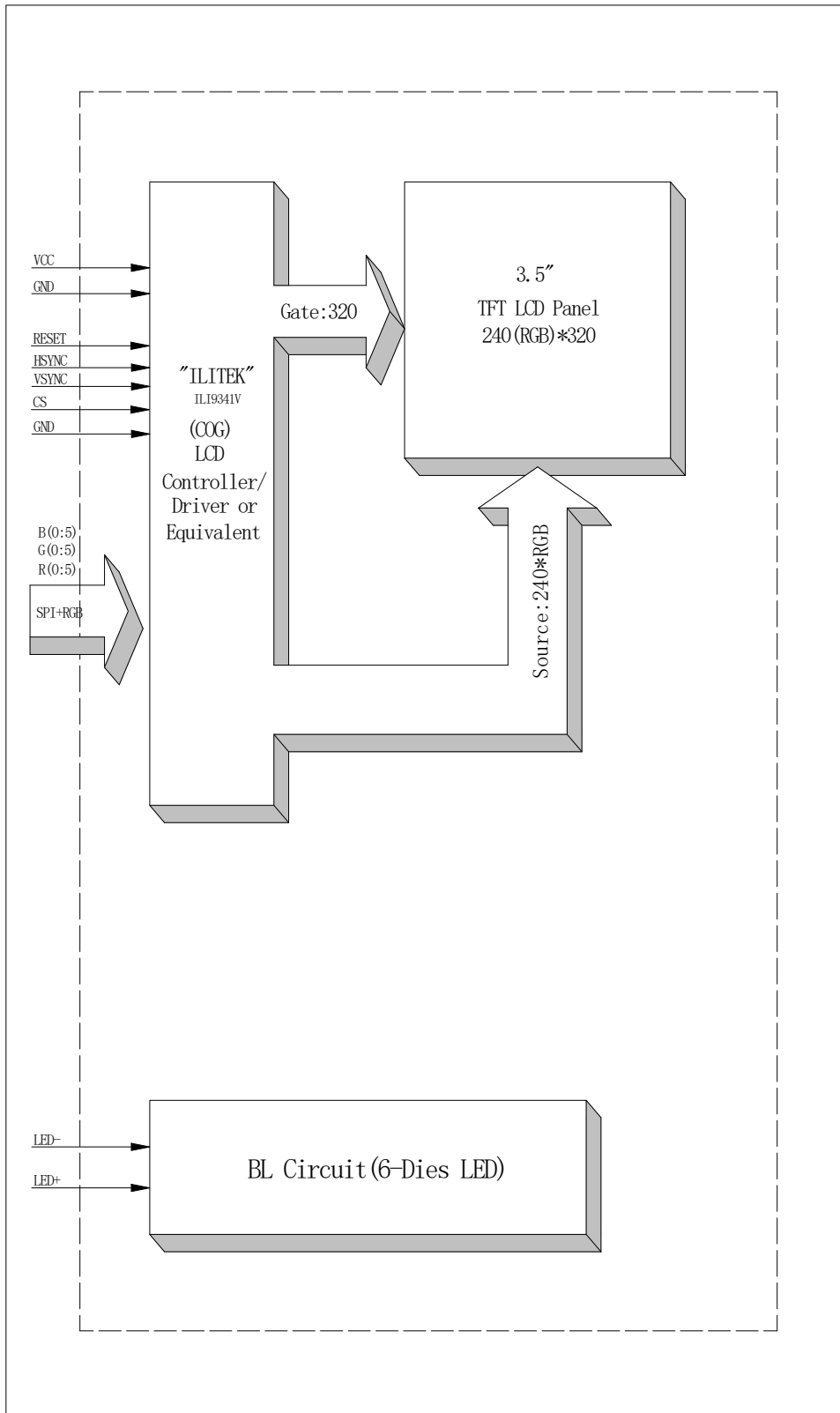
1. General Specification.....	4
2. Mechanical Drawing.....	5
3. Block Diagram.....	6
4. Interface Pin Function.....	7
5. Absolute Maximum Ratings.....	8
6. Electrical Characteristics.....	9
7. Optical Characteristics.....	10
8. Timing Characteristics.....	13
9. Standard Specification for Reliability.....	16
10. General Precautions.....	18
11. Specification of Quality Assurance.....	27
12. <u>packing method</u>	28

1. General Specification

Item	Contents	Unit
LCD TYPE	TFT/TRANSFLECTIVE	
MODULE SIZE (W*H*T)	64*85*2.93	MM
ACTIVE SIZE (W*H)	53.64*71.52	MM
PIXEL PITCH (W*H)	0.2235*0.2235	MM
NUMBER OF DOTS	240*320	
DRIVER IC	ILI9341V	
INTERFACE TYPE	SPI+ 18 BIT RGB	
TOP POLARIZER TYPE	GLARE	
RECOMMEND VIEWING DIRECTION	6	O'CLOCK
GRAY SCALE INVERSION DIRECTION	12	O'CLOCK
BACKLIGHT TYPE	6-DIES WHITE LED	
TOUCH PANEL TYPE	WITHOUT	



3. Block Diagram



4. Interface Pin Function

Pin No.	Symbol	Description
1	VL1	Anode of LED(High voltage)
2	GND	Power ground
3	VL2	Cathode of LED(Low voltage)
4	GND	Power ground
5	VSHD	Power supply for digital
6	GND	Power ground
7	GND	Power ground
8	GND	Power ground
9	VSYNC	Vertical sync. in RGB mode
10	GND	Power ground
11	RESET	Reset(Low active)
12	GND	Power ground
13	GND	Power ground
14	GND	Power ground
15	CS	Chip select input(Low enable)
16	GND	Power ground
17	SD0	Serial data output
18	SD1	Serial data input
19	GND	Power ground
20	SCL	Serial interface clock
21	GND	Power ground
22	B5	Blue data bus
23	B4	Blue data bus
24	B3	Blue data bus
25	B2	Blue data bus
26	B1	Blue data bus
27	B0	Blue data bus
28	ENAB	Display enable pin from controller
29	GND	Power ground
30	HSYNC	Horizontal sync. in RGB mode
31	GND	Power ground
32	DCLK	Pixel clock signal in RGB mode
33	GND	Power ground
34	G5	Green data bus
35	G4	Green data bus
36	G3	Green data bus
37	G2	Green data bus
38	G1	Green data bus
39	G0	Green data bus

40	GND	No connect
41	R5	Red data bus
42	R4	Red data bus
43	R3	Red data bus
44	R2	Red data bus
45	R1	Red data bus
46	R0	Red data bus
47	GND	Power ground
48	GND	Power ground
49	GND	Power ground
50	GND	Power ground

5. Absolute Maximum Ratings

Parameter	Symbol	Min	Max	Unit
Supply voltage for analog	VSHD	-0.3	4.5	V
Supply voltage for logic	VSHD	-0.3	4.5	V
Supply current (One LED)	I _{LED}		30	mA
Operating temperature	T _{OP}	-20	+70	°C
Storage temperature	T _{ST}	-30	+80	°C

Note: The absolute maximum rating values of this product are not allowed to be exceeded at any times. Should a module be used with any of the absolute maximum ratings exceeded, the characteristics of the module may not be recovered, or in an extreme case, the module may be permanently destroyed.

6. Electrical Characteristics

6.1 Input Power

Item	Symbol	Min	Typ.	Max	Unit	Applicable terminal
Supply Voltage for Analog	VSHD	2.5	2.8	3.3	V	
Supply Voltage for Logic	VSHD	2.5	2.8	3.3	V	
Input Voltage	V _{IL}	GND	-	0.3VSHD	V	
	V _{IH}	0.7 VSHD	-	VSHD		
Input leakage Current	I _{LKG}	-1		1	μA	

6.2 Backlight Driving Conditions

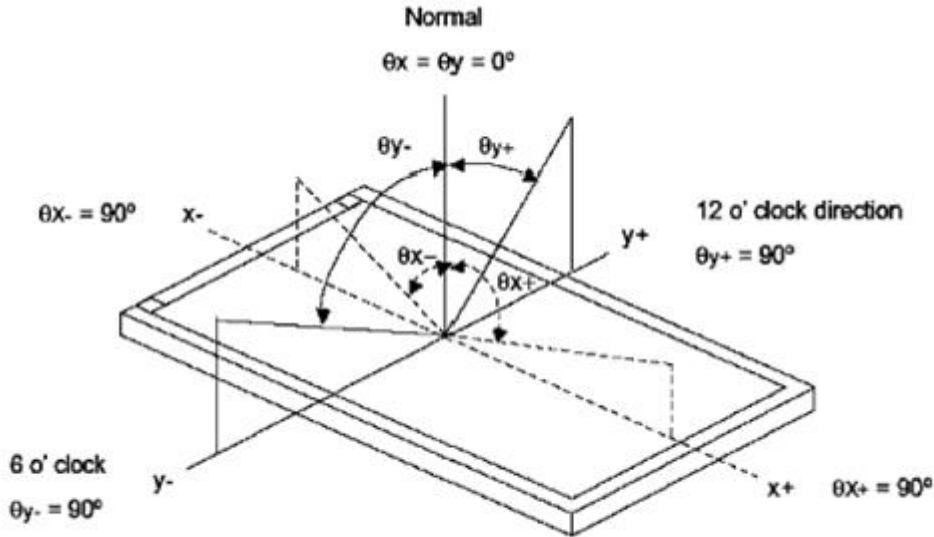
Item	Symbol	Value			Unit	Remark
		Min.	Typ.	Max.		
Voltage for LED Backlight	V _F	16.8	19.2	20.4	V	I _L =20mA
Current for LED Backlight	I _L		20	30	mA	
Power Consumption	P		0.384		W	
LED Life Time		30,000	50,000		Hr	Note

Note: Brightness to be decreased to 50% of the initial value at ambient temperature TA=25°C

7. Optical Characteristics

ITEM	SYMBOL	CONDITIONS	SPECIFICATIONS			UNIT	NOTE	
			MIN	TYP.	MAX			
Luminance	L	$I_L = 20\text{mA}$	110	130	150	Cd/m^2		
Contrast Ratio	CR	$\theta = 0^\circ$	100	150				
Response Time	T_{ON}	25°C		35		ms		
	T_{OFF}							
CIE Color Coordinate	Red	X_R	Viewing normal angle	0.467	0.507	0.547		
		Y_R		0.287	0.327	0.367		
	Green	X_G		0.294	0.334	0.374		
		Y_G		0.489	0.529	0.569		
	Blue	X_B		0.117	0.157	0.197		
		Y_B		0.103	0.143	0.183		
	White	X_W		0.284	0.324	0.364		
		Y_W		0.332	0.372	0.412		
Viewing Angle	Hor.	θ_{x+}	$\text{CR} \geq 10$		60		Degree	Gray scale inversion
		θ_{x-}			60			
	Ver.	θ_+			55			
		θ_-			60			
Uniformity	Un		80			%		

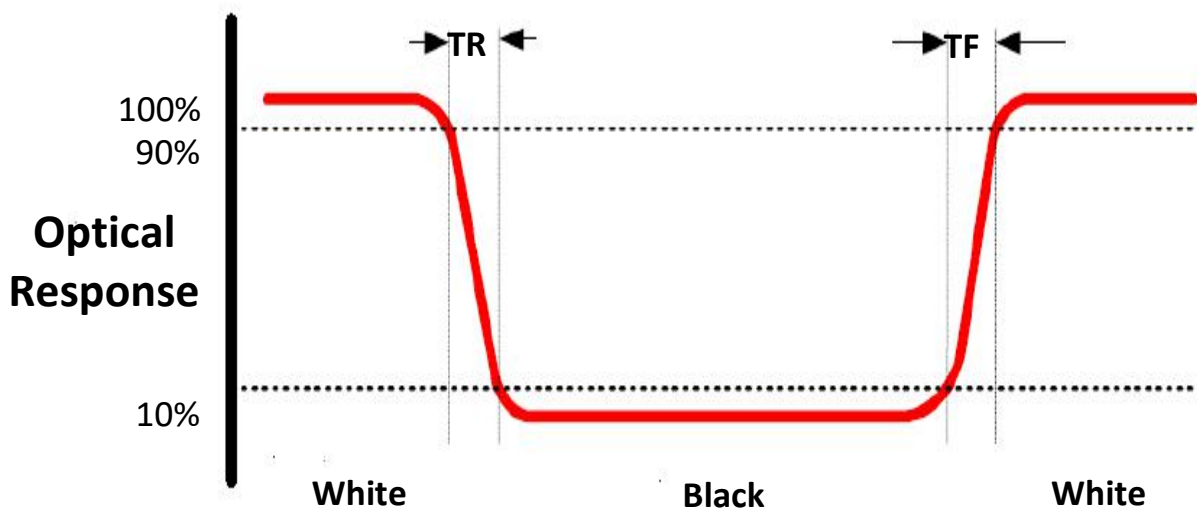
Note 1: Definition of Viewing Angle θ_x and θ_y :



Note 2: Definition of contrast ratio CR:

$$CR = \frac{\text{Luminance of white state}}{\text{Luminance of black state}}$$

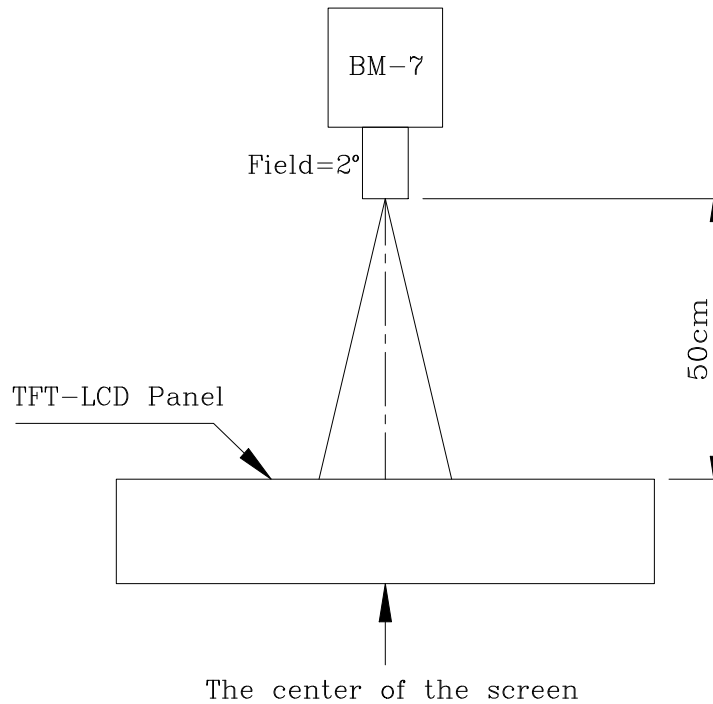
Note 3: Definition of Response Time (T_r, T_f)



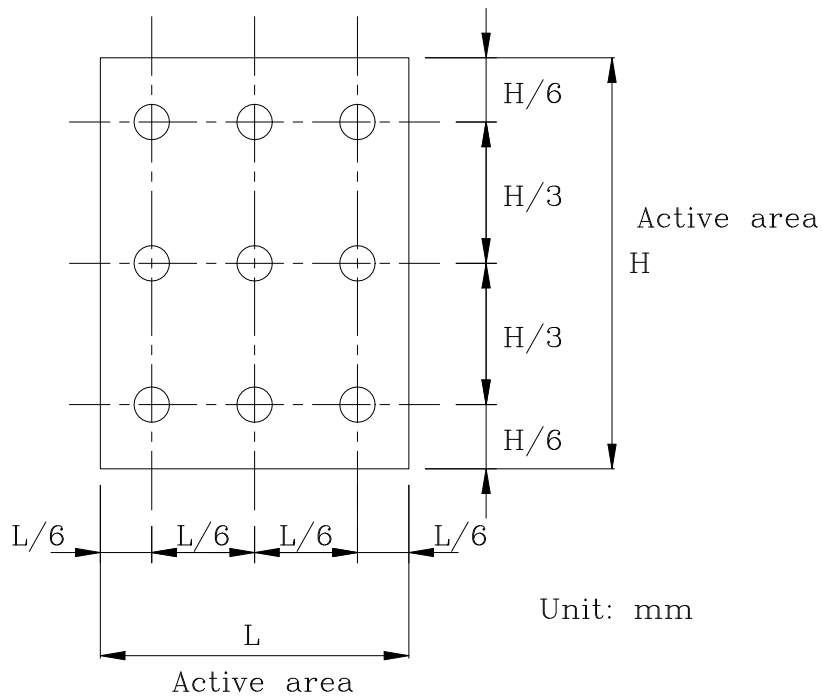
Note 4: Definition of Luminance

① The Brightness Test Equipment Setup

Field=2°(As measuring "black" image, field=2°is the best testing condition)

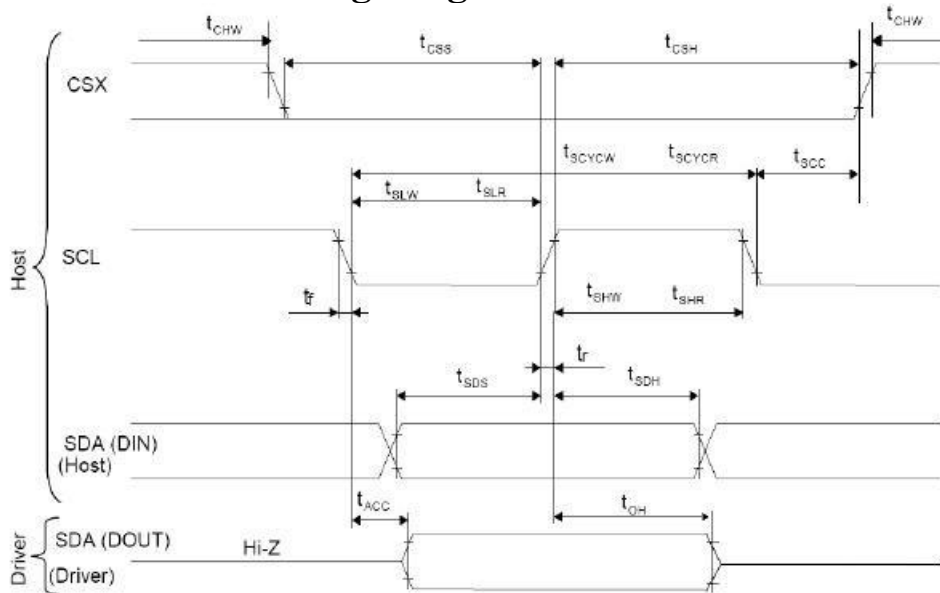


② The Brightness Test Point Setup



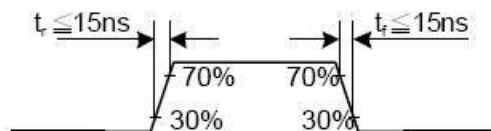
8. Timing Characteristics

8.1 3-WIRE SPI Timing Diagram

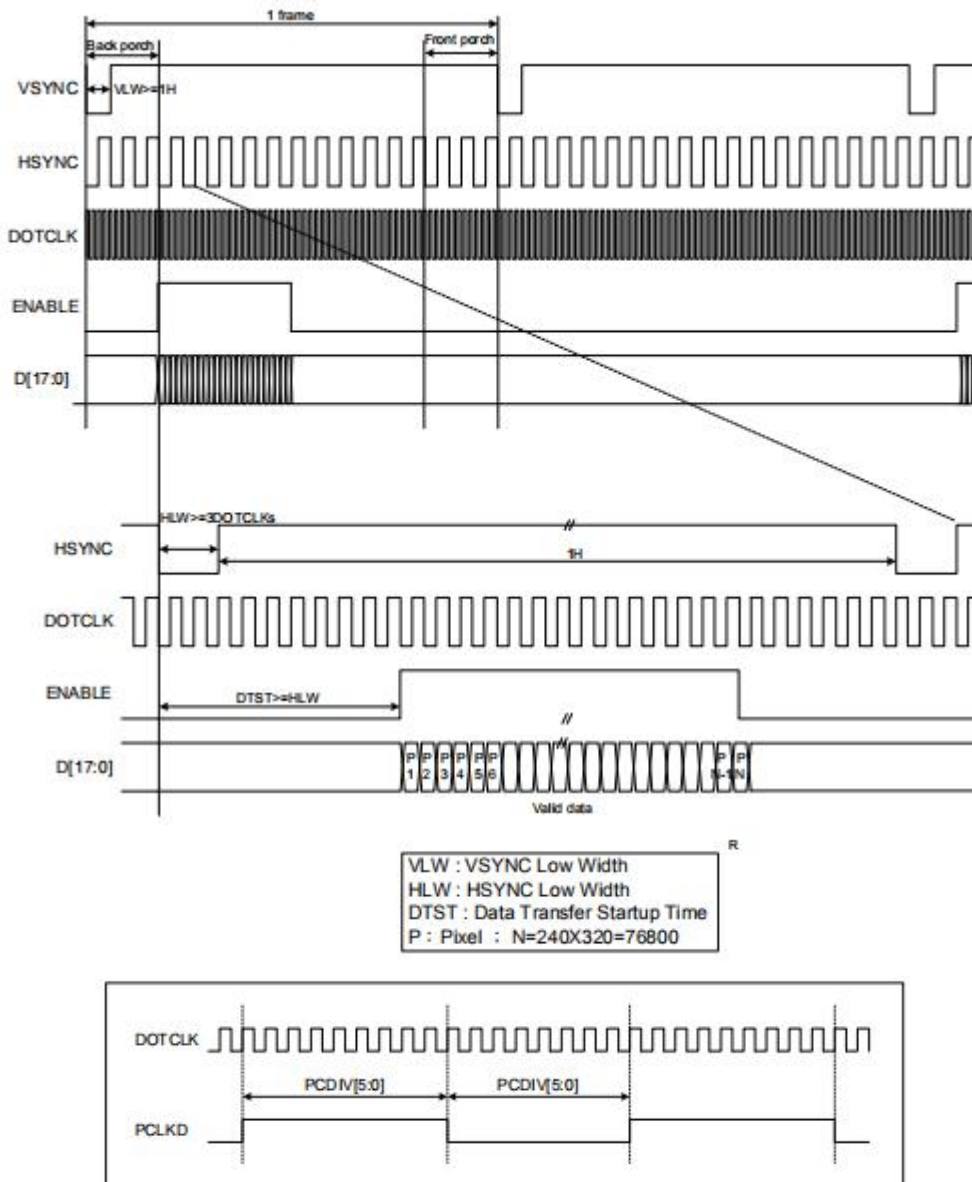


Signal	Symbol	Parameter	min	max	Unit	Description
SCL	tscycw	Serial Clock Cycle (Write)	100	-	ns	
	tshw	SCL "H" Pulse Width (Write)	40	-	ns	
	tslw	SCL "L" Pulse Width (Write)	40	-	ns	
	tscycr	Serial Clock Cycle (Read)	150	-	ns	
	tshr	SCL "H" Pulse Width (Read)	60	-	ns	
	tslr	SCL "L" Pulse Width (Read)	60	-	ns	
SDA / SDI (Input)	tsds	Data setup time (Write)	30	-	ns	
	tsdh	Data hold time (Write)	30	-	ns	
SDA / SDO (Output)	tacc	Access time (Read)	10	-	ns	
	toh	Output disable time (Read)	10	50	ns	
CSX	tsc	SCL-CSX	20	-	ns	
	tch	CSX "H" Pulse Width	40	-	ns	
	tc	CSX "L" Pulse Width	60	-	ns	
	tcs	CSX-SCL Time	65	-	ns	

Note: $T_a = 25^\circ\text{C}$, $V_{DDI}=1.65\text{V to }3.3\text{V}$, $V_{CI}=2.5\text{V to }3.3\text{V}$, $AGND=VSS=0\text{V}$



8.2 RGB Timing Diagram



Note 1: The DE signal is not needed when RGB interface SYNC mode is selected.

Note 2: VSPL=0', HSPL=0', DPL=0' and EPL=0' of "Interface Mode Control (B0h)" command.

Parameters	Symbols	Condition	Min.	Typ.	Max.	Units
Horizontal Synchronization	Hsync		2	10	16	DOTCLK
Horizontal Back Porch	HBP		2	20	24	DOTCLK
Horizontal Address	HAdr		-	240	-	DOTCLK
Horizontal Front Porch	HFP		2	10	16	DOTCLK
Vertical Synchronization	Vsync		1	2	4	Line
Vertical Back Porch	VBP		1	2	-	Line
Vertical Address	VAdr		-	320	-	Line
Vertical Front Porch	VFP		3	4	-	Line

Typical values are setting example when used with panel resolution 240 x 320 (QVGA), clock frequency 6.35MHz and frame

9. Standard Specification for Reliability

9.1 Standard Specification for Reliability of LCD Module

No	Test Item	Condition	Remarks
1	High Temperature Operation	Ts = +70°C, 240 hours	IEC60068-21:2007 GB2423.2-2008
2	Low Temperature Operation	Ta = -20°C, 240 hours	IEC60068-2-1:2007 GB/2423.1-2008
3	High Temperature Storage	Ta = +80°C, 240 hours	IEC60068-21:2007 GB/2423.2-2008
4	Low Temperature Storage	Ta = -30°C, 240 hours	IEC60068-21:2007 GB/2423.1-2008
5	Storage at High Temperature and Humidity	Ta = +60°C, 90% RH max, 240 hours	IEC60068-2-78 :2001 GB/T2423.3—2006
6	Thermal Shock (non-operation)	-30°C 30 min~+80°C 30 min, Change time:5min, 20 Cycle	Start with cold temperature, End with high temperature, IEC60068-214:1984, GB/2423.22-2002
7	ESD	C=150pF,R=330Ω,5point/panel Air:±8Kv,5times; Contact:±4Kv,5times (Environment:15°C~35°C, 30%~60%.86Kpa~106Kpa)	IEC61000-42:2001 GB/T17626.2-2006
8	Vibration Test	Frequency range:10~55Hz Stroke:1.5mm Sweep:10Hz~55Hz~10Hz 2 hours for each direction of X.Y.Z (6 hours for total)	IEC60068-2-6:1982 GB/T2423.101995
9	Mechanical Shock (Non Op)	Half Sine Wave60G 6ms, ±X,±Y,±Z 3times for each direction	IEC60068-2-27:1987 GB/T2423.5—1995
10	Package Drop Test	Height:80cm, 1corner,3 edges,6 surfaces	IEC60068-2-32:1990 GB/T2423.8—1995

Note1: Ts is the temperature of panel's surface.

Note2: Ta is the ambient temperature of sample.

9.2 Testing Conditions and Inspection Criteria

For the final test, the testing sample must be stored at room temperature for 24 hours. After the tests listed in Table 9.2, standard specifications for reliability will be executed in order to ensure stability.

No.	Item	Test Model	In section Criteria
01	Current Consumption	Refer To Specification	The current consumption should conform to the product specification.
02	Contrast	Refer To Specification	After the tests have been executed, the contrast must be larger than half of its initial value prior to the tests.
03	Appearance	Visual inspection	Defect free.

9.3 MTBF

MTBF	Functions, performance, appearance, etc. shall be free from remarkable deterioration within 50,000 hours under ordinary operating and storage conditions room temperature (25±5°C), normal humidity (50±10% RH), and in area not exposed to direct sun light.
------	---

10. Specification of Quality Assurance

10.1 Quality Test

Before delivering, the supplier should conduct the following tests to confirm the quality of products.

- Electrical-Optical Characteristics: According to the individual specification to test the product.
- Appearance Characteristics: According to the individual specification to test the product.
- Reliability Characteristics: According to the definition of reliability on the specification for testing products.

10.2 Delivery Test

Before delivering, the supplier should conduct the delivery test.

- Test method: According to MIL-STD105E.General Inspection Level II take a single Time.
- The defects classify of AQL as following:
 - Major defect: AQL = 0.65
 - Minor defect: AQL = 1.5
 - Total defects: AQL = 1.5

10.3 Non-conforming Analysis & Deal With Manners

10.3.1 Non-conforming Analysis

- Purchaser should provide the data detail of non-conforming sample and the non-conforming.
- After receiving the data detail from purchaser, the analysis of non-conforming should be finished within two weeks.
- If the analysis can't be finished on time, supplier must notice purchaser 3 days in advance.

10.3.2 Disposition of non-conforming

- If any product defect be found during assembling, supplier must change the good for every defect after confirmation.
- Both supplier and customer should analyze the reason and discuss the disposition of non-conforming when the reason of nonconforming is not sure.

10.4 Agreement items

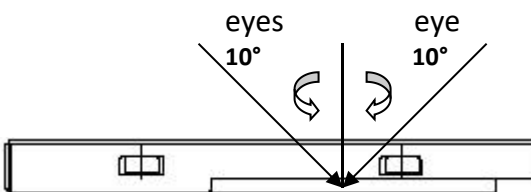
Both parties should negotiate together when the following problems happen.

- There is any problem of standard of quality assurance, and both sides should agree that it must be modified.
- There is any argument item which does not record in the standard of quality assurance.
- Any other special problem.

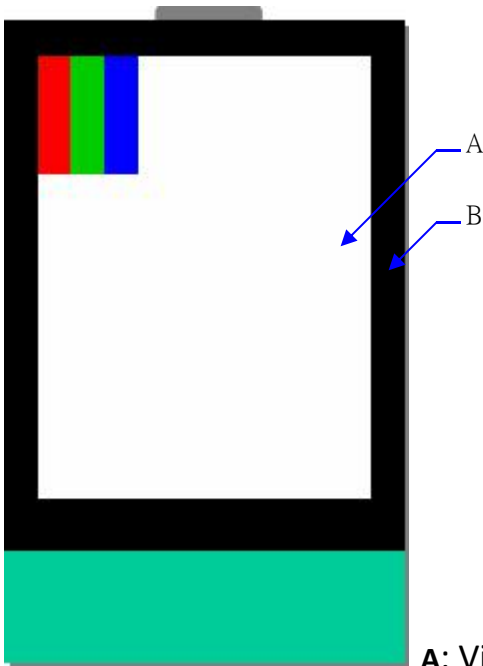
10.5 Standard of The Product Appearance Test

10.5.1 Manner of appearance test

- The test must be under 20W × 2 or 40W fluorescent light, and the distance of view must be at $30\pm 5\text{cm}$.
- When test the model of transmissive product must add the reflective plate.
- The test direction is base on around 10° of vertical line.
- Temperature: $25\pm 5^\circ\text{C}$ Humidity: $60\pm 10\%\text{RH}$



- Definition of area:

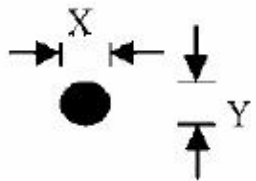
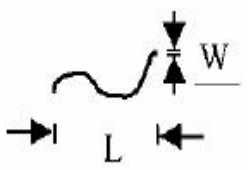


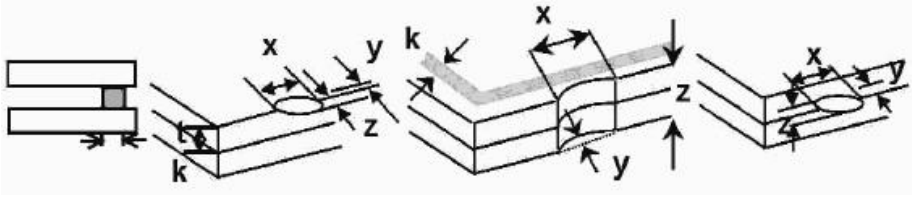
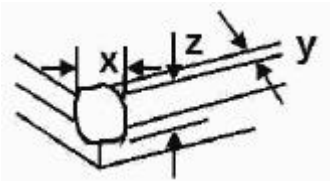
A: Viewing area B: Outside viewing area

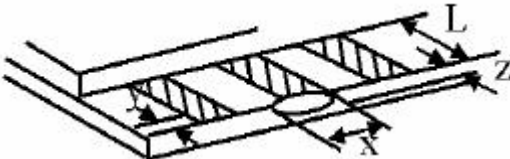
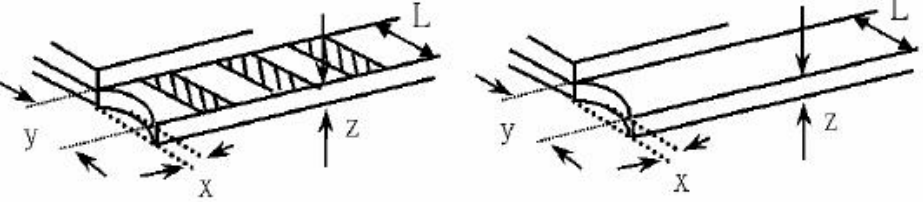
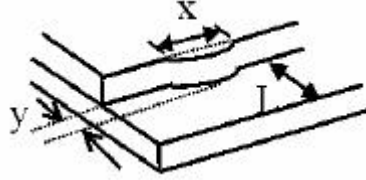
10.5.2 Basic principle

- When the standard can not be described, AQL will be applied.
- The sample of the lowest acceptable quality level must be negotiated by both supplier and customer when any dispute happened.
- New item must be added on time when it is necessary.

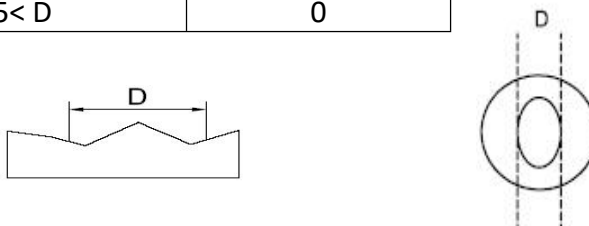
10.6 Inspection Specification

NO.	Item	Criterion	AQL												
01	Electrical Testing	1.1 Missing vertical, horizontal segment, segment contrast defect. 1.2 Missing character, dot or icon. 1.3 Display malfunction. 1.4 No function or no display. 1.5 Current consumption exceeds product specifications. 1.6 LCD viewing angle defect. 1.7 Mixed product types. 1.8 Flicker	0.65												
02	Black or White spots or Bright spots or Color spots on LCD (Display only)	2.1 White and black or color spots on display $\leq 0.25\text{mm}$, no more than Five spots. 2.2 Densely spaced: No more than three spots within 3mm.	1.5												
03	LCD and Touch Panel black spots, white spots, contamination (non – display)	3.1 Round type: As following drawing $\Phi = (X+Y) / 2$  <table border="1" data-bbox="821 1164 1356 1422"> <thead> <tr> <th>Size(mm)</th> <th>Acceptable Q'ty</th> </tr> </thead> <tbody> <tr> <td>$\Phi \leq 0.10$</td> <td>Accept no dense</td> </tr> <tr> <td>$0.10 < \Phi \leq 0.20$</td> <td>1</td> </tr> <tr> <td>$0.20 < \Phi \leq 0.25$</td> <td>1</td> </tr> <tr> <td>$0.25 < \Phi \leq 0.30$</td> <td>0</td> </tr> <tr> <td>$0.30 < \Phi$</td> <td>0</td> </tr> </tbody> </table> <p>* Densely spaced: No more than two spots within 3mm.</p>	Size(mm)	Acceptable Q'ty	$\Phi \leq 0.10$	Accept no dense	$0.10 < \Phi \leq 0.20$	1	$0.20 < \Phi \leq 0.25$	1	$0.25 < \Phi \leq 0.30$	0	$0.30 < \Phi$	0	1.5
		Size(mm)	Acceptable Q'ty												
$\Phi \leq 0.10$	Accept no dense														
$0.10 < \Phi \leq 0.20$	1														
$0.20 < \Phi \leq 0.25$	1														
$0.25 < \Phi \leq 0.30$	0														
$0.30 < \Phi$	0														
3.2 Line type: (As following drawing)  <table border="1" data-bbox="726 1545 1356 1792"> <thead> <tr> <th>Length(mm)</th> <th>Width(mm)</th> <th>Acceptable Q'ty</th> </tr> </thead> <tbody> <tr> <td>---</td> <td>$W \leq 0.02$</td> <td>Accept no dense</td> </tr> <tr> <td>$L < 2.5$</td> <td>$W < 0.08$</td> <td>1</td> </tr> <tr> <td>---</td> <td>$0.08 \leq W$</td> <td>Rejection</td> </tr> </tbody> </table> <p>* Densely spaced: No more than two lines within 3mm.</p>	Length(mm)	Width(mm)	Acceptable Q'ty	---	$W \leq 0.02$	Accept no dense	$L < 2.5$	$W < 0.08$	1	---	$0.08 \leq W$	Rejection	1.5		
Length(mm)	Width(mm)	Acceptable Q'ty													
---	$W \leq 0.02$	Accept no dense													
$L < 2.5$	$W < 0.08$	1													
---	$0.08 \leq W$	Rejection													

NO.	Item	Criterion		AQL																		
04	Polarizer bubbles	If bubbles are visible, judge using black spot specifications, not easy to find, must check in specify direction	Size Φ (mm)	Acceptable Q'ty	1.5																	
			$\Phi \leq 0.30$	Accept no dense																		
			$0.30 < \Phi \leq 0.50$	0																		
			$0.50 < \Phi \leq 1.00$	0																		
			$1.00 < \Phi$	0																		
			Total Q'ty	0																		
05	Scratches	Follow NO.3 -2 Line Type.																				
06	Chipped glass	Symbols: x: Chip length y: Chip width z: Chip thickness k: Seal width t: Glass thickness a: LCD side length L: Electrode pad length 6.1 General glass chip: 6.1.1 Chip on panel surface and crack between panels:		1.5																		
																						
		<table border="1"> <tr> <td>z: Chip thickness</td> <td>y: Chip width</td> <td>x: Chip length</td> </tr> <tr> <td>$Z \leq 1/2t$</td> <td>Not over viewing area</td> <td>$x \leq 2MM$</td> </tr> <tr> <td>$1/2t < z \leq 2t$</td> <td>Not exceed 1/3k</td> <td>$x \leq 2MM$</td> </tr> </table>	z: Chip thickness		y: Chip width	x: Chip length	$Z \leq 1/2t$	Not over viewing area	$x \leq 2MM$	$1/2t < z \leq 2t$	Not exceed 1/3k	$x \leq 2MM$	<table border="1"> <tr> <td>z: Chip thickness</td> <td>y: Chip width</td> <td>x: Chip length</td> </tr> <tr> <td>$Z \leq 1/2t$</td> <td>Not over viewing area</td> <td>$x \leq 2MM$</td> </tr> <tr> <td>$1/2t < z \leq 2t$</td> <td>Not exceed 1/3k</td> <td>$x \leq 2MM$</td> </tr> </table>	z: Chip thickness	y: Chip width	x: Chip length	$Z \leq 1/2t$	Not over viewing area	$x \leq 2MM$	$1/2t < z \leq 2t$	Not exceed 1/3k	$x \leq 2MM$
		z: Chip thickness	y: Chip width		x: Chip length																	
$Z \leq 1/2t$	Not over viewing area	$x \leq 2MM$																				
$1/2t < z \leq 2t$	Not exceed 1/3k	$x \leq 2MM$																				
z: Chip thickness	y: Chip width	x: Chip length																				
$Z \leq 1/2t$	Not over viewing area	$x \leq 2MM$																				
$1/2t < z \leq 2t$	Not exceed 1/3k	$x \leq 2MM$																				
⊙ Unit: mm ⊙ If there are 2 or more chips, x is the total length of each chip 6.1.2 Corner crack:  <table border="1"> <tr> <td>z: Chip thickness</td> <td>y: Chip width</td> <td>x: Chip length</td> </tr> <tr> <td>$Z \leq 1/2t$</td> <td>Not over viewing area</td> <td>$x \leq 2MM$</td> </tr> <tr> <td>$1/2t < z \leq 2t$</td> <td>Not exceed 1/3k</td> <td>$x \leq 2MM$</td> </tr> </table> ⊙ Unit: mm ⊙ If there are 2 or more chips, x is the total length of each chip		z: Chip thickness	y: Chip width	x: Chip length	$Z \leq 1/2t$	Not over viewing area	$x \leq 2MM$	$1/2t < z \leq 2t$	Not exceed 1/3k	$x \leq 2MM$												
z: Chip thickness	y: Chip width	x: Chip length																				
$Z \leq 1/2t$	Not over viewing area	$x \leq 2MM$																				
$1/2t < z \leq 2t$	Not exceed 1/3k	$x \leq 2MM$																				

NO.	Item	Criterion	AQL																
07	Glass crack	<p>Symbols: x: Chip length y: Chip width z: Chip thickness k: Seal width t: Glass thickness a: LCD side length L: Electrode pad length</p> <p>7.2 Protrusion over terminal: 7.2.1 Chip on electrode pad:</p>  <table border="1" data-bbox="558 728 1236 884"> <tr> <td>y: Chip width</td> <td>x: Chip length</td> <td>z: Chip thickness</td> </tr> <tr> <td>$y \leq 0.5\text{mm}$</td> <td>$x \leq 2\text{MM}$</td> <td>$0 < z \leq t$</td> </tr> </table> <p>7.2.2 Non-conductive portion:</p>  <table border="1" data-bbox="558 1265 1236 1422"> <tr> <td>y: Chip width</td> <td>x: Chip length</td> <td>z: Chip thickness</td> </tr> <tr> <td>$y \leq L$</td> <td>$x \leq 2\text{MM}$</td> <td>$0 < z \leq t$</td> </tr> </table> <p>⊙ If there chipped area touches the ITO terminal, over 2/3 of the ITO must remain and be inspected according to electrode terminal specifications. ⊙ If the product will be heat sealed by the customer, the alignment mark must not be damaged.</p> <p>7.2.3 Substrate protuberance and internal crack</p>  <table border="1" data-bbox="885 1758 1316 1892"> <tr> <td>y: width</td> <td>x: length</td> </tr> <tr> <td>$y \leq 1/3L$</td> <td>$x \leq 2\text{MM}$</td> </tr> </table>	y: Chip width	x: Chip length	z: Chip thickness	$y \leq 0.5\text{mm}$	$x \leq 2\text{MM}$	$0 < z \leq t$	y: Chip width	x: Chip length	z: Chip thickness	$y \leq L$	$x \leq 2\text{MM}$	$0 < z \leq t$	y: width	x: length	$y \leq 1/3L$	$x \leq 2\text{MM}$	1.5
y: Chip width	x: Chip length	z: Chip thickness																	
$y \leq 0.5\text{mm}$	$x \leq 2\text{MM}$	$0 < z \leq t$																	
y: Chip width	x: Chip length	z: Chip thickness																	
$y \leq L$	$x \leq 2\text{MM}$	$0 < z \leq t$																	
y: width	x: length																		
$y \leq 1/3L$	$x \leq 2\text{MM}$																		

NO.	Item	Criterion	AQL
08	Cracked glass	No crack is allowed.	1.5
09	Backlight elements	9.1 Illumination source flickers when lit. 9.2 Spots or scratches that appear when lit must be judged. Using LCD spot, lines and contamination standards. 9.3 Backlight doesn't light or color is wrong.	1.5 1.5 0.65
10	Bezel	No scratches with W>0.1 and Length>2.5mm.	1.5
11	PCB、COB	11.1 COB seal may not have pinholes larger than 0.2mm or contamination. 11.2 COB seal surface may not have pinholes through to the IC. 11.3 The height of the COB should not exceed the height indicated in the assembly diagram. 11.4 There may not be more than 2mm of sealant outside the seal area on PCB. And there should be no more than three places. 11.5 Parts on PCB must be the same as on the production characteristic chart, There should be no wrong parts, missing parts or excess parts. 11.6 The jumper on the PCB should conform to the product characteristic chart.	1.5 1.5 1.5 1.5 0.65 0.65
12	FPC	FPC damage per IPC guidelines.(IPC-A-610) Nicks or damage along the edges of the flexible printed cir-cuitry and cutouts,providing the penetration does not exceed 50% of the distance from the edge to the nearest conductor to 2.5mm[0.1in], Whichever is less.	1.5
13	Soldering	13.1 No cold solder joints, missing solder connections, oxidation or icicle. 13.2 No short circuits in components on PCB or FPC. 13.3 Soldering per IPC guidelines.(IPC-A-610)	1.5 0.65

NO.	Item	Criterion	AQL										
15	Touch Panel(Fish eye、dent and bubble on film)	<table border="1"> <thead> <tr> <th>SIZE(mm)</th> <th>Acceptable Q'ty</th> </tr> </thead> <tbody> <tr> <td>$\Phi \leq 0.2$</td> <td>Accept no dense</td> </tr> <tr> <td>$0.2 < D \leq 0.4$</td> <td>5</td> </tr> <tr> <td>$0.4 < D \leq 0.5$</td> <td>2</td> </tr> <tr> <td>$0.5 < D$</td> <td>0</td> </tr> </tbody> </table> 	SIZE(mm)	Acceptable Q'ty	$\Phi \leq 0.2$	Accept no dense	$0.2 < D \leq 0.4$	5	$0.4 < D \leq 0.5$	2	$0.5 < D$	0	1.5
SIZE(mm)	Acceptable Q'ty												
$\Phi \leq 0.2$	Accept no dense												
$0.2 < D \leq 0.4$	5												
$0.4 < D \leq 0.5$	2												
$0.5 < D$	0												
16	Touch Panel Newton ring	Newton ring dimension $\leq 1/2$ touch panel area and not affect font and line distortion($\leq 2.5\%$) , it is acceptable.	1.5										
17	Touch Panel Linearity	Less than 2.5% is acceptable.	1.5										
18	LCD Ripple	Touch the touch panel , can not see the LCD ripple. Pen: R 1.0mm silicon rubber. Operation Force: 80g	1.5										
19	General appearance	19.1 Pin type must match type in specification sheet. 19.2 LCD pin loose or missing pins. 19.3 Product packaging must the same as specified on packaging specification sheet. 19.4 Product dimension and structure must conform to product specification sheet. 19.5 product packaging shall be by trays sized to protect tft and fpc cable, 19.6 cable shall not be bent during transportation. 19.7top tray must be empty.	0.65 0.65 0.65 0.65										

11. Handling Precaution

11.1 Handling of LCM

- Avoid external shock.
- Don't apply excessive force on the surface.
- Liquid in LCD is hazardous substance, do not lick or swallow. When the liquid is attaching to your hand, skin, cloth, etc., wash it thoroughly and immediately.
- Don't operate it above the absolute maximum rating.
- Don't disassemble the LCM.
- The operators should wear protections whenever he/she comes into contact with the module. Never touch any of the conductive parts such as the LSI pads, the copper leads on the PCB and the interface terminals with any parts of the human body.
- The modules should be kept in antistatic bags or other containers resistant to static for storage.
- The module is coated with a film to protect the display surface, be careful when peeling off this protective film since static electricity may be generated.

11.2 Storage

- Store it in an ambient temperature of $25\pm 10^{\circ}\text{C}$, and in a relative humidity of $50\pm 10\%\text{RH}$. Don't expose to sunlight or fluorescent light.
- Store it in a clean environment, free from dust, active gas, and solvent.
- Store it in anti-static electricity container.
- Store it without any physical load.

11.3 Soldering

- Use only soldering irons with proper grounding and no leakage.
- Iron: no higher than $280\pm 10^{\circ}\text{C}$ and less than 3 sec during hand soldering.
- Rewiring: no more than 2 times.

12.Packing Method

No.	Item	Dimensions(mm)	Quantity	Remark
1	LCM Module	64.00*85.00*2.93	162PCS	
2	TRAY	385*340*21 (include 9pcs products/one tray)	9PCS	
3	SMALL CARTON	392*345*115 (include 81pcs products/one carton)	2PCS	
4	LARGE CARTON	405*355*260 (include 162pcs products/one carton)	1PCS	